

| | | | | | |
|--------------------------|--|-------------------|--|--|----------------|
| E3AA2R220C-ATEX | | | | | Clamped |
| Material Mediumsberührt: | | Aluminium | | | |
| Material Mittelteil: | | Aluminium | | | |
| Material Membrane: | | Nitril | | | |
| Anschluss: | | NPT Innen Gewinde | | | |

Luftventil Ersatzteile

| Pos | Bezeichnung | Stk | Art Nr. | Air-Kit | Wet-Kit | URL |
|-----|--|-----|--------------|---------|---------|---|
| | Luftseite Reperatur Kit (inkl. Pos. 3, 5, 7, 9, 14, 16, 18-22) | | 476.V029.000 | ✓ | | https://aodd-pumpen.de/476-V029-000 |
| 1 | Luftventilbaugruppe (inkl. Pos. 2-11) | 1 | 031.V003.156 | | | https://aodd-pumpen.de/031-V003-156 |
| 2 | Ventilkörper | 1 | 095.V001.156 | | | https://aodd-pumpen.de/095-V001-156 |
| 3 | Ventilkörperdichtung | 1 | P24-202 | ✓ | | https://aodd-pumpen.de/P24-202 |
| 4 | Ventilhülse | 1 | 755.V006.148 | | | https://aodd-pumpen.de/755-V006-148 |
| 5 | O-Ringe | 6 | 560.206.360 | ✓ | | https://aodd-pumpen.de/560206360 |
| 6 | Ventilschieber-ASY (inkl. Pos. 7) | 1 | 775.V001.000 | | | https://aodd-pumpen.de/775-V001-000 |
| 7 | Glyd Ring ASY | 6 | P34-204F | ✓ | | https://aodd-pumpen.de/P34-204F |
| 8 | Luftventilschirm | 1 | P24-210 | | | https://aodd-pumpen.de/P24-210 |
| 9 | Endkappen-Dichtung | 2 | P24-205 | ✓ | | https://aodd-pumpen.de/P24-205 |
| 10 | Endkappen | 2 | P34-300 | | | https://aodd-pumpen.de/P34-300 |
| 11 | Montageschrauben | 13 | S1001 | | | https://aodd-pumpen.de/S1001 |

Mittelteil Ersatzteile

| Pos | Bezeichnung | Stk | Art Nr. | Air-Kit | Wet-Kit | URL |
|-----|--|-----|---------------|---------|---------|---|
| 12 | Mittelblock (inkl. Pos. 13&14) | 1 | P34-400DC ASY | | | https://aodd-pumpen.de/P34-400DC-ASY |
| 13 | Lagerhülse | 2 | P34-404 | | | https://aodd-pumpen.de/P34-404 |
| 14 | O-Ring Hauptwelle | 2 | P34-403 | ✓ | | https://aodd-pumpen.de/P34-403 |
| 15 | Luftkammer | 2 | 196.V006.157 | | | https://aodd-pumpen.de/196-V006-157 |
| 16 | Luftkammerdichtung | 2 | P79-109 | ✓ | | https://aodd-pumpen.de/P79-109 |
| 17 | Schraube | 8 | P24-110 | | | https://aodd-pumpen.de/P24-110 |
| | Pilot-Reparatursatz (inkl. Pos. 18-22) | | 476.V028.000 | | | https://aodd-pumpen.de/476-V028-000 |
| 18 | Pilothülsen ASY (inkl. Pos. 19) | 1 | 755.V002.000 | ✓ | | https://aodd-pumpen.de/755-V002-000 |
| 19 | O-Ring | 6 | 560.101.358 | ✓ | | https://aodd-pumpen.de/560101358 |
| 20 | Sicherungsring | 1 | 675.037.080 | ✓ | | https://aodd-pumpen.de/675037080 |
| 21 | Pilotkolben ASY (inkl. Pos. 22) | 1 | 775.V006.000 | ✓ | | https://aodd-pumpen.de/775-V006-000 |
| 22 | O-Ring | 8 | 560.023.358 | ✓ | | https://aodd-pumpen.de/560023358 |
| 23 | Schalldämpfer | 1 | 530.033.000 | | | https://aodd-pumpen.de/530033000 |

Membranen Ersatzteile

| Pos | Bezeichnung | Stk | Art Nr. | Air-Kit | Wet-Kit | URL |
|-----|--|-----|-------------|---------|---------|---|
| | Rep. Satz Membrane (inkl. Pos. 25, 32, 33) | | V3.0 BN KIT | | ✓ | https://aodd-pumpen.de/V3-0-BN-KIT |
| 24 | Hauptwelle | 1 | P34-103 | | | https://aodd-pumpen.de/P34-103 |
| 25 | Membrane | 2 | V305BN | | ✓ | https://aodd-pumpen.de/V305BN |
| 26 | Äußere Membranplatte | 2 | V302BDC | | | https://aodd-pumpen.de/V302BDC |
| 27 | Innerer Membranplatte | 2 | V302CDC | | | https://aodd-pumpen.de/V302CDC |
| 28 | Schraube | 12 | V302G | | | https://aodd-pumpen.de/V302G |
| 29 | U-Scheibe | 12 | V302GA | | | https://aodd-pumpen.de/V302GA |
| 30 | U-Scheibe für Stoßfänger | 2 | P34-501 | | | https://aodd-pumpen.de/P34-501 |
| 31 | Back-Up U-Scheibe | 2 | V302E | | | https://aodd-pumpen.de/V302E |
| 32 | Ventilsitz | 4 | V356BN | | ✓ | https://aodd-pumpen.de/V356BN |
| 33 | Ventilball | 4 | V355BN | | ✓ | https://aodd-pumpen.de/V355BN |

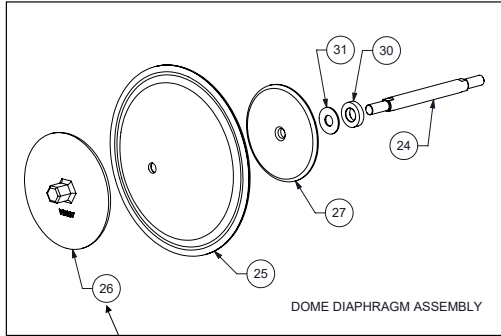
Mediumsberührte Ersatzteile

| Pos | Bezeichnung | Stk | Art Nr. | Air-Kit | Wet-Kit | URL |
|-----|---------------------|-----|---------|---------|---------|---|
| 34 | Wasserkammer | 2 | V350 | | | https://aodd-pumpen.de/V350 |
| 35 | Große Klammern ASY | 2 | V311 | | | https://aodd-pumpen.de/V311 |
| 36 | Auslassverteiler | 1 | V351 | | | https://aodd-pumpen.de/V351 |
| 37 | Ansaugverteiler | 1 | V352F | | | https://aodd-pumpen.de/V352F |
| 41 | Kleine Klammern ASY | 4 | V354 | | | https://aodd-pumpen.de/V354 |

Option: Anschlüsse und Zubehör

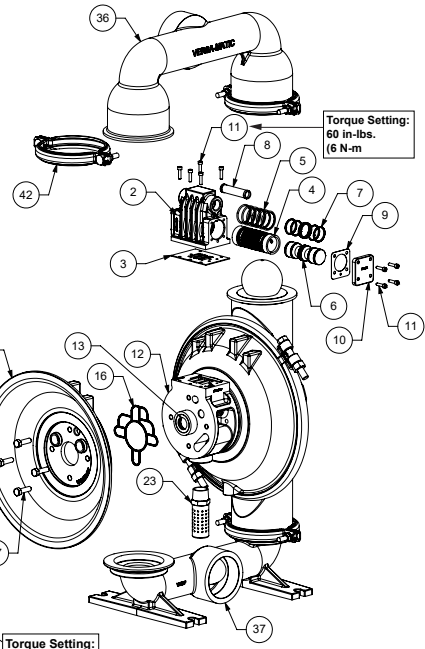
| Pos | Bezeichnung | Stk | Art Nr. | Air-Kit | Wet-Kit | URL |
|-----|-------------|-----|-------------|---------|---------|---|
| | Schmierfett | 1 | 508.002.000 | ✓ | ✓ | https://aodd-pumpen.de/508-002-000 |
| | Warnzettel | 1 | 485.017.000 | | | https://aodd-pumpen.de/485017000 |

Composite Repair Parts Drawing - Elastomeric and TPE Fitted

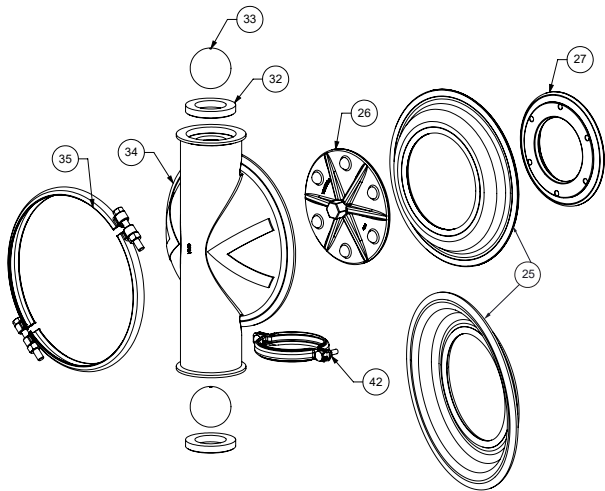


DOME DIAPHRAGM ASSEMBLY

Torque Setting:
 720 in.-lbs.
 (81 N-m)
 960 in.-lbs (XL)
 (180 N-m) (XL)



Torque Setting:
 60 in.-lbs.
 (6 N-m)



Torque Setting:
 300 in.-lbs.
 (33 N-m)



Optional orientation:
 To ease assembly of the TPE diaphragms,
 one of the diaphragms may be reversed.

3: EXP VIEW